

# SILCA NEWS

2024  
MAY

NR.  
05

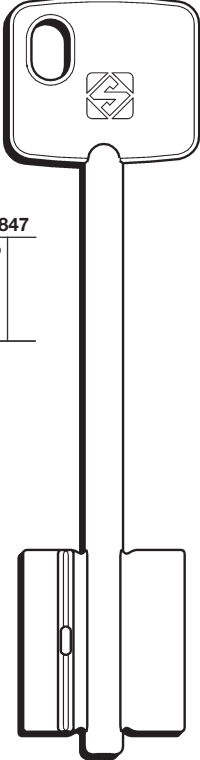


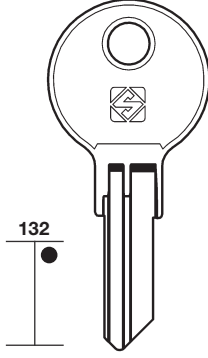



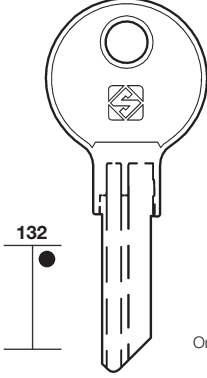


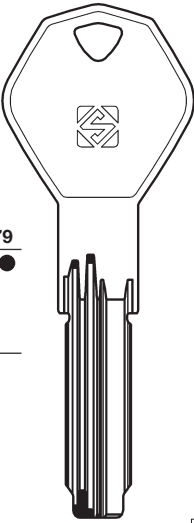


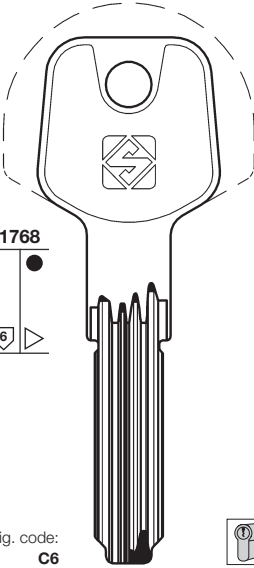


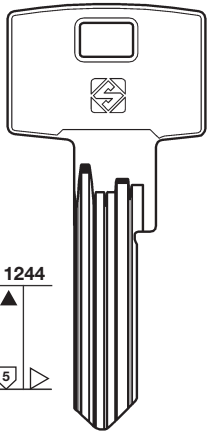


ALL THE NEW KEYS, AUTOMOTIVE SOLUTIONS, KEY CUTTING MACHINES, SOFTWARE UPDATES AND MUCH MORE



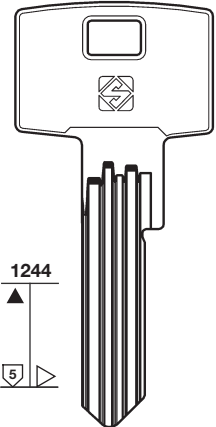


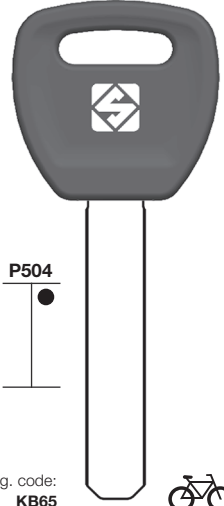


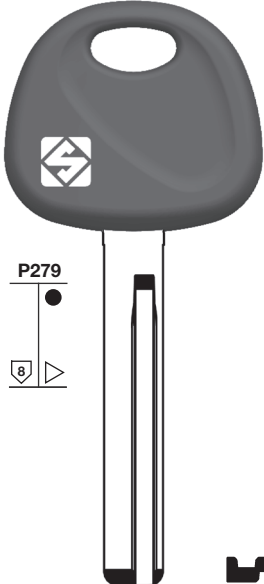


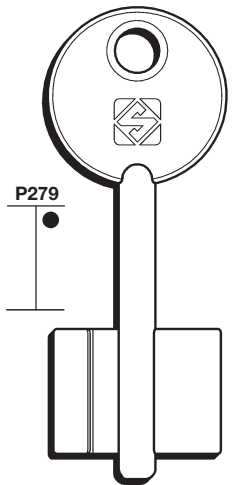


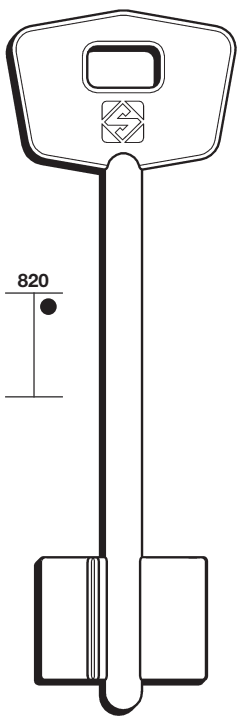


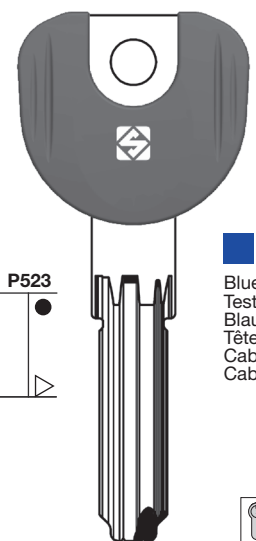


NETWORK WITH US



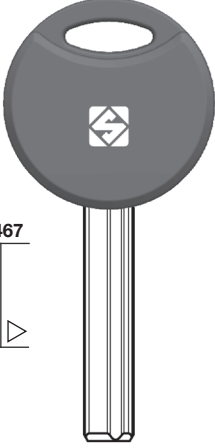




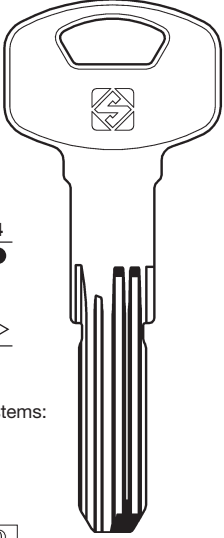





Silca key blanks are compatible with third party manufacturers' cylinders specified here below:

BORDER*	CINA*		
 <p>1847</p>  <p>5BOE1</p>  <p>8 052782 043654</p> <p>Box of 25</p>	 <p>132</p>  <p>RC31</p>  <p>RC32R</p>  <p>8 052782 044972</p> <p>Box of 100</p>	 <p>132</p> <p>Orig. code: D13</p>  <p>RC32R</p>  <p>8 052782 044989</p> <p>Box of 100</p>	<p>BORDER*<sup>(RU)</sup></p> <p>CINA*<sup>(TW)</sup></p> <p>CVL*<sup>(ES)</sup></p> <p>DAD-DECAYEUX*<sup>(FR)</sup></p> <p>DOM*<sup>(DE)</sup></p>
CVL*	DAD-DECAYEUX*	DOM*	
 <p>1779</p>  <p>CVL6R</p>  <p>8 052782 045894</p> <p>Box of 50</p>	 <p>1768</p> <p>Orig. code: C6</p>  <p>DD9</p>  <p>8 052782 046198</p> <p>Box of 50</p>	 <p>1244</p>  <p>DM167</p>  <p>8 052782 045160</p> <p>Box of 50</p>	<p>(*) This is a trademark of a third party not affiliated nor linked with Silca S.p.A. or the dormakaba Group. Silca S.p.A. and dormakaba Group do not own any intellectual property right nor have been granted any license with regard to such trademark, which is hereby used only to indicate the intended purpose of Silca's products.</p>

Silca key blanks are compatible with third party manufacturers' cylinders specified here below:

DOM*	GAD*	HYUNDAI*	
 <p>1244 5</p>  <p><b>DM167R</b></p>  <p>8 052782 045153 Box of 50</p>	 <p>P504</p> <p>Orig. code: KB65</p>  <p><b>GAD8P</b></p>  <p>8 052782 044101 Box of 25</p>	 <p>P279</p>  <p><b>HYN17RCP</b></p>  <p>8 052782 046686 Box of 25</p>	<p><b>DOM*</b><sup>(DE)</sup></p> <p><b>GAD*</b><sup>(NL)</sup></p> <p><b>HYUNDAI*</b><sup>(KR)</sup></p> <p><b>IDM*</b><sup>(IT)</sup></p> <p><b>PALLADIUM*</b><sup>(RU)</sup></p> <p><b>TITAN*</b><sup>(SI)</sup></p>
 <p>P279</p>  <p><b>5ID7S</b></p>  <p>8 052782 046785 Box of 50</p>	 <p>820</p>  <p><b>5PLD1</b></p>  <p>8 052782 043678 Box of 25</p>	 <p>P523</p> <p>Blue head Testa blu Blau Kopf Tête bleu Cabeza azul Cabeça azul</p>  <p><b>TN58P</b></p>  <p>8 052782 045221 Box of 25</p>	<p>(*) This is a trademark of a third party not affiliated nor linked with Silca S.p.A. or the dormakaba Group. Silca S.p.A. and dormakaba Group do not own any intellectual property right nor have been granted any license with regard to such trademark, which is hereby used only to indicate the intended purpose of Silca's products.</p>

Silca key blanks are compatible with third party manufacturers' cylinders specified here below:

TRELOCK*	YALE*	TRELOCK* (DE)
 <p>P467</p>    <p>TRK15DP</p>  <p>8 052782 045931</p> <p>Box of 25</p>	 <p>1584</p>  <p>Lock Systems: 1500</p>   <p>YA118SMD</p>  <p>8 052782 046792</p> <p>Box of 50</p>  <p>Shoulder milling view</p>	<p>YALE* (EN)</p>

(\*) This is a trademark of a third party not affiliated nor linked with Silca S.p.A. or the dormakaba Group. Silca S.p.A. and dormakaba Group do not own any intellectual property right nor have been granted any license with regard to such trademark, which is hereby used only to indicate the intended purpose of Silca's products.





MYKEYS  
Pro

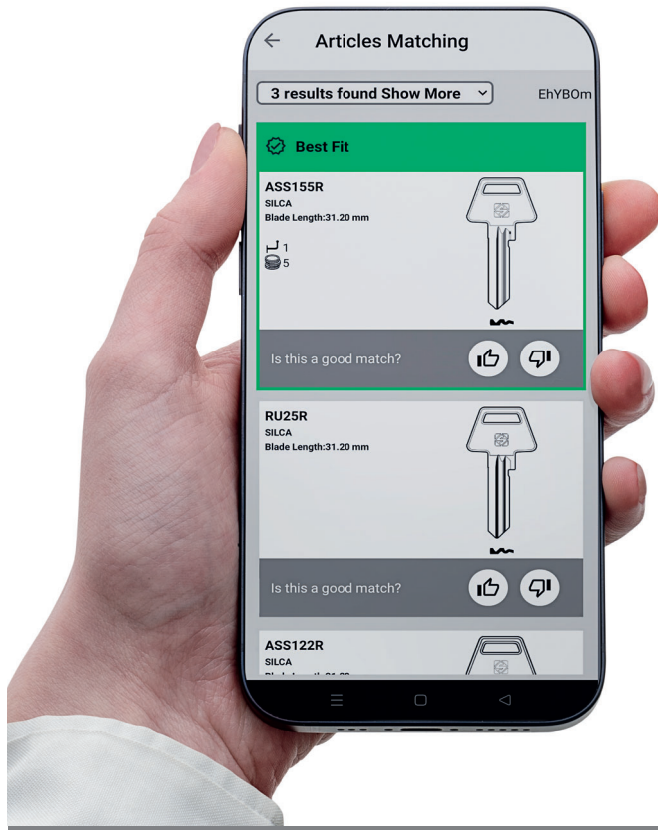


PROFILE  
Reader

PROFILE  
Reader



The Essential Partner for Key Identification / Il Partner Essenziale per l'identificazione delle chiavi / Der unverzichtbare Partner für die Schlüsselidentifikation / Le Partenaire Incontournable pour l'identification des clés / La Herramienta Esencial para la identificación de llaves / O Parceiro Essencial para identificação de chaves



## PROFILE Reader

The Silca Profile Reader is a tool that helps speed up the key duplication process by resolving the key cutter's biggest problem - identifying the correct key blank to use.

By combining **artificial intelligence, advanced algorithms, and a memory of over 6,000 residential flat and dimple key profiles**, the Profile Reader suggests the best matching Silca reference to use for creating a duplicate key.



CONNECT TO  
MYKEYS **PRO**



## LUMI PROFILE Reader

Whilst Profile Reader works great in stand-alone, using the **LUMI Profile Reader** makes it faster and easier to get the best results. Lumi **optimizes the lighting and background conditions** to help make more accurate photos. A special white Marker has guides to help in the positioning and dimensioning of the key to achieve more precise results.



WIDE KEY COVERAGE

## New Silca Remote Car Key HU101TR15 compatible with the Ford\* Transit



HU101TR15

Flip blade HU101



### **New Remote Key**

Silca is pleased to introduce a new remote key compatible with the Ford\* Transit. The key features three function buttons (lock, unlock and rear door open) and can be programmed with Smart Pro.

### **Nuova Chiave Radiocomando**

Silca presenta una nuova referenza per la duplicazione di chiavi radiocomando compatibile con Ford\* Transit. La chiave è dotata di tre pulsanti per l'apertura e chiusura centralizzata delle portiere e per l'apertura della porta posteriore. La chiave può essere programmata con Smart Pro.

### **Neuer Silca-Fernbedienungsschlüssel**

Silca präsentiert eine neue Referenz für das Kopieren von Fernbedienungsschlüsseln kompatibel mit dem Ford\* Transit. Der Schlüssel hat drei Tasten für die Zentralöffnung/-verriegelung der Türen und für die dritte Tür. Der Schlüssel kann mit Smart Pro programmiert werden.

### **Nouvelle Clé Télécommande**

Silca présente un nouvel article pour reproduire des clés a télécommande pour le Ford Transit\*. La clé a trois boutons pour le déverrouillage/verrouillage centralisé des portières et pour l'ouverture de la porte latérale. La clé peut être programmée sur Smart Pro.

### **Nova Chave Mando Silca**

Silca apresenta uma nova referência para a duplicação de chaves comando compatível com a Ford\* Transit. A chave tem três botões para a abertura e o fecho centralizado das portas e para a abertura da terceira porta. A chave pode ser programada com o Smart Pro.

### **Nueva Llave Comando Silca**

Silca presenta una nueva referencia para duplicar llaves mando compatible con la Ford\* Transit. La llave tiene tres botones para la apertura y el cierre centralizados de las puertas y para la apertura de la tercera puerta. La llave se puede programar con Smart Pro.

### Application list for HU101TR15

Make*	Model	Chassis	From	To	Buttons	Trp ID	Frequency	Silca Profile
Ford	Torneo Custom	V362	2017		3	47	433FM	HU101
Ford	Transit	V363	2017		3	47	433FM	HU101
Ford	Transit Custom	V362	2016		3	47	433FM	HU101

> More info at [mykeyspro.com](https://mykeyspro.com)

\* This is a trademark of a third party not affiliated nor linked with Silca S.p.A. or the dormakaba Group. Silca S.p.A. and dormakaba Group do not own any intellectual property right nor have been granted any license with regard to such trademark, which is hereby used only to indicate the intended purpose of Silca's products.



**UPDATE YOUR SMART PRO NOW!**

Data update with new vehicle applications / Aggiornamento dati con nuove applicazioni veicolo / Datenaktualisierung mit neuen Fahrzeug-Anwendungen / Mise à jour des données avec des nouvelles applications de véhicules / Actualización de datos con nuevas aplicaciones de vehículos / Atualização de dados com novas aplicações de veículos

Silca Advanced Diagnostics software to program car keys compatible with third party makes and models specified below:

REGION	MAKE*	MODEL*	YEAR START	YEAR END	KEY TYPE	SW MODULE
Europe	Opel-Vauxhall	Insignia	2013	2017	PROX	ADS2187
Europe	Jeep	Avenger	2023	2024	BLADE	ADS2188
Europe	Infiniti	Q70	2014	2019	PROX	ADS2159
Europe	Ford	Galaxy	2020	2023	PROX	ADS2209
Europe	Toyota	Vitz	2017	2019	BLADE	ADS2328
Europe	Lexus	UX250h	2019	2024	PROX	ADS2328
Asia	Ford	F-150	2018	2020	PROX	ADS2269
Asia	Citroën	C4 Picasso	2013	2016	PROX	ADS2142
Asia	Subaru	Outback	2020	2022	PROX	ADS2330
Asia	Peugeot	5008	2017	2020	PROX	ADS2188
Asia	Mazda	CX-5	2021	2023	PROX	ADS2267
Australia	Kia	Picanto	2023	2024	BLADE	ADS2321
USA	Toyota	bZ4X	2023	2024	PROX	ADS2328
USA	Kia	Soul	2024	2024	BLADE	ADS2321
USA	Hyundai	Palisade	2024	2024	PROX	ADS2321

(\*) This is a trademark of a third party not affiliated nor linked with Silca S.p.A. or the dormakaba Group. Silca S.p.A. and dormakaba Group do not own any intellectual property right nor have been granted any license with regard to such trademark, which is hereby used only to indicate the intended purpose of Silca's products.

> More info at [mykeyspro.com](https://mykeyspro.com)



## Key Programming Software Update compatible with PSA\* ADS2188 - Code D751944AD

### Now programmes Jeep Avenger and Peugeot 2008 bladed keys



The updated ADS2188 software now programmes bladed keys for models including the Jeep Avenger even in an all keys lost situation. The full software application list covers more than 80 popular models from Peugeot, Citroën, DS and Opel.

Advanced Diagnostics ha sviluppato un aggiornamento per il software ADS2188 ampliando la copertura di nuovi modelli auto compreso la Jeep Avenger anche in caso di perdita totale delle chiavi. L'elenco delle applicazioni software copre ora più di 80 diffusi modelli auto di Peugeot, Citroën, DS e Opel.

Advanced Diagnostics hat ein Update für die Software ADS2188 entwickelt, das die Abdeckung auf neue Fahrzeugmodelle, einschließlich des Jeep Avenger, erweitert. Die Liste der Software-Anwendungen deckt nun mehr als 80 beliebte Automodelle von Peugeot, Citroën, DS und Opel ab.

La mise à jour pour le logiciel ADS2188, étend la couverture aux nouveaux modèles de voitures, notamment la Jeep Avenger et la Peugeot 2008. La liste des applications couvre désormais plus de 80 modèles de voitures populaires de Peugeot, Citroën, DS et Opel.

A atualização do software ADS2188 amplia a cobertura para novos modelos de automóveis, incluindo o Jeep Avenger. A lista de aplicações de software abrange agora mais de 80 modelos de automóveis populares da Peugeot, Citroën, DS e Opel.

La actualización para el software ADS2188 ampliando la cobertura a nuevos modelos de automóviles, incluido el Jeep Avenger. La lista de aplicaciones de software cubre ahora más de 80 modelos de automóviles populares de Peugeot, Citroën, DS y Opel.

What else is needed?



Smart Pro



HU83R30

#### OFFER DETAILS

Cable	ADC2000
Smart Aerial/Smart Aerial+ required	No
Software category	A
Other software needed	ADS2229 Pincode read

#### New Applications

*	KEY TYPE							
Citroën C3 Aircross 2021 --> 2024	Bladed	<input checked="" type="checkbox"/>	<input checked="" type="checkbox"/>	<input checked="" type="checkbox"/>	ADC2000	<input checked="" type="checkbox"/>	<input checked="" type="checkbox"/>	HU83R30
Jeep Avenger 2023 --> 2024	Bladed	<input checked="" type="checkbox"/>	<input checked="" type="checkbox"/>	<input checked="" type="checkbox"/>	ADC2000	<input checked="" type="checkbox"/>	<input checked="" type="checkbox"/>	HU83R30
Jeep Avenger 2023 --> 2024	Proximity	<input checked="" type="checkbox"/>	<input checked="" type="checkbox"/>	<input checked="" type="checkbox"/>	ADC2000	<input checked="" type="checkbox"/>	<input checked="" type="checkbox"/>	
Opel-Vauxhall Combo 2020 --> 2024	Proximity	<input checked="" type="checkbox"/>	<input checked="" type="checkbox"/>	<input checked="" type="checkbox"/>	ADC2000	<input checked="" type="checkbox"/>	<input checked="" type="checkbox"/>	
Peugeot 2008 2019 --> 2024	Bladed	<input checked="" type="checkbox"/>	<input checked="" type="checkbox"/>	<input checked="" type="checkbox"/>	ADC2000	<input checked="" type="checkbox"/>	<input checked="" type="checkbox"/>	HU83R30

> More info at [mykeyspro.com](https://mykeyspro.com)

\* This is a trademark of a third party not affiliated nor linked with Silca S.p.A. or the dormakaba Group. Silca S.p.A. and dormakaba Group do not own any intellectual property right nor have been granted any license with regard to such trademark, which is hereby used only to indicate the intended purpose of Silca's products.



## FLASH *BIT Plus*

### **Portable, reliable, easy to use**

Flash Bit Plus is a mechanical key-cutting machine for duplicating bit, double-bit, post box and special keys. Lightweight and compact, Flash Bit Plus is ideal for small shops and mobile use.

### **Portatile, affidabile, facile da usare**

Flash Bit Plus è una duplicatrice meccanica per la duplicazione di chiavi mappa, doppia mappa, cassette postali e chiavi speciali. Leggera e compatta, Flash Bit Plus è ideale per piccoli negozi e per un utilizzo portatile.

### **Tragbar, zuverlässig, einfach zu bedienen**

Flash Bit Plus ist eine mechanische Schlüsselkopiermaschine zum Kopieren von Bart-, Doppelbart-, Briefkasten- und Spezialschlüsseln. Leicht und kompakte Flash Bit Plus ist ideal für kleine Geschäfte und den mobilen Einsatz.

### **Portable, résistante, confortable à l'usage**

La Flash Bit Plus est une machine mécanique pour la reproduction des clés à gorges, à double panneton, à pompe et certaines clés spéciales de boîtes aux lettres. Légère et compacte, la Flash Bit Plus est idéale pour les magasins avec un espace réduit ou pour une utilisation mobile.

### **Portátil, resistente e confortável de usar**

Flash Bit Plus é um duplicador de chaves mecânico para duplicação de chaves de palhetão, duplo palhetão, bomba, caixa de correio e especiais. Leve e compacto, o Flash Bit Plus é ideal para pequenas lojas e uso móvel.

### **Portátil, resistente, fácil de usar**

Flash Bit Plus es una duplicadora mecánica para duplicar llaves de pala, doble pala, de buzón y llaves especiales. Ligera y compacta, Flash Bit Plus es ideal para tiendas pequeñas y para un uso móvil.



Carrying handle

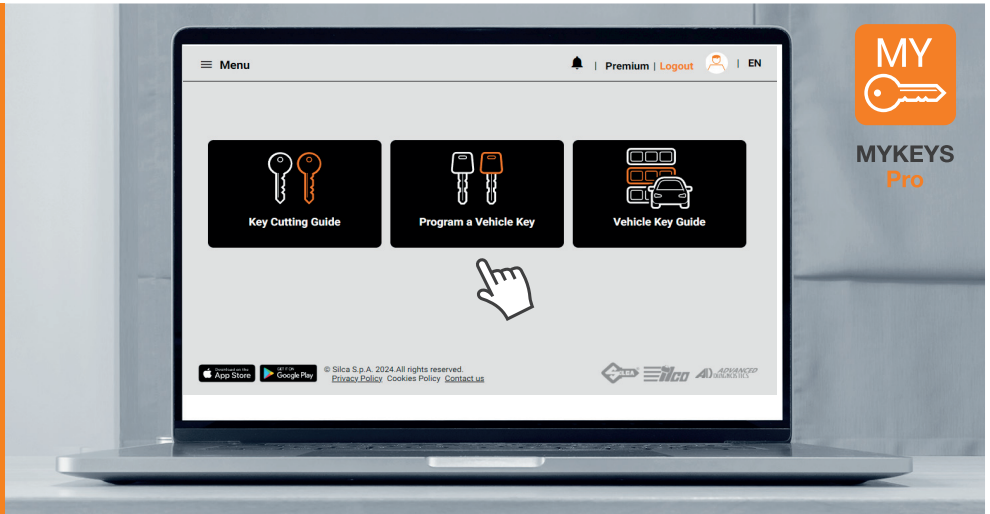


Optional vertical milling adaptor



\*\* Duplicate with specific optional accessories

**NEW VEHICLE KEY PROGRAMMING VIDEOS FOR MYKEYS PRO SUBSCRIBERS**



**Program a Vehicle Key**

Search by Make (1)

- FIAT
- PUNTO
- Model Code (Chassis) [Generation]
- EUROPE
- 2016

Search by Make or Model

FIAT PUNTO 2012 - 2018

Chassis : (ZFA199)  
Fuel : ANY  
Key Type : BLADE  
Region : EUROPE

**NEW SMART PRO PROGRAMMING VIDEOS ON MYKEYS PRO**

- Citroën\* C3 - 2008
  - Fiat\* Punto - 2016
  - Fiat\* Tipo - 2021
  - Ford\* Transit - 2019
- ...and many more to come!

Subscribe now at MYKEYS Pro  
[www.mykeyspro.com](http://www.mykeyspro.com)

**Additional Information**

Vehicle Photo:

Diagnostic Socket Location (RHD):

Remote Procedure: OEM Remote programmed at the same time as the transponder, however is not mandatory.

Ignition Bypass Required(AKL)? No

SmartPro Key Programming Video:

To reset the key (SIP22R01) see the TIPS AND HINTS video When pre-coding a key please make reference to the orientation of the key in the Smart Aerial (see TIPS AND HINTS PHOTO and the SMART AERIAL PLUS photo)

(\*) This is a trademark of a third party not affiliated nor linked with Silca S.p.A. or the dormakaba Group. Silca S.p.A. and dormakaba Group do not own any intellectual property right nor have been granted any license with regard to such trademark, which is hereby used only to indicate the intended purpose of Silca's products.





2.-4.05.2024  
Düsseldorf

- Thank you for visiting us and for enjoying the news we had prepared for you.
- Grazie per averci fatto visita e per aver apprezzato le novità che avevamo preparato per voi.
- Vielen Dank, dass Sie uns besucht haben und dass Sie sich über die Nachrichten freuen, die wir für Sie vorbereitet haben.

- Nous vous remercions de votre visite et de l'intérêt que vous portez aux nouvelles que nous avons préparées pour vous.
- Gracias por visitarnos y por disfrutar de las noticias que le hemos preparado.
- Obrigado por nos ter visitado e por ter apreciado as novidades que preparámos para si.



> ELF 2024 Exhibition





## LEGAL NOTES

In compliance with current regulations relating to industrial property, please note that - but for "Silca", "dormakaba", "Kaba", "Ilco" and "Advanced Diagnostics" - the trademarks or trade names mentioned in our document are the exclusive property of third parties not affiliated nor linked with Silca S.p.A. or the dormakaba Group. Silca S.p.A. and dormakaba Group do not own any intellectual property right nor have been granted any license with regard to such trademarks and trade names, which are hereby used only to indicate the intended purpose of Silca's products. / This catalogue is reserved exclusively for professional key cutters who use Silca products. The illustrations and technical data regarding the products in the document are to be considered indicative. Silca reserves the right to alter products designs, dimensions or info to improve the products quality. The contents of this document are fully protected by Copyright and may not be copied or reproduced in any form, without written permission from Silca S.p.A. For any dispute the competent Court is that of Treviso, the applicable law is that of Italy.

## RECHTLICHE HINWEISE

In Übereinstimmung mit den geltenden Bestimmungen zum gewerblichen Eigentum weisen wir darauf hin, dass - mit Ausnahme von "Silca", "dormakaba", "Kaba", "Ilco" und "Advanced Diagnostics" - die in unserem Dokument erwähnten Markenzeichen oder Handelsnamen das ausschließliche Eigentum Dritter sind, die weder der Silca S.p.A. noch der dormakaba Gruppe angehören oder mit diesen verbunden sind. Diese Markenzeichen oder Handelsbezeichnungen werden hier nur erwähnt, um auf die bestimmungsgemäße Verwendung der Silca-Produkte hinzuweisen. / Dieser Katalog ist ausschließlich professionellen Schlüsseldiensten vorbehalten, die Silca-Produkte verwenden. Die in diesem Dokument enthaltenen Abbildungen und technischen Daten der Produkte sind als Richtwerte zu betrachten. Silca behält sich vor, etwaige Änderungen, die zur Verbesserung des Produktes beitragen, vorzunehmen. Alle Zeichnungen und Fotos sind Eigentum der Firma Silca. Jede Reproduktion, auch teilweise, ist ohne ausdrückliche Genehmigung der Silca S.p.A. gesetzlich untersagt. Für alle Streitigkeiten ist das Gericht von Treviso zuständig, das geltende Recht ist italienisch.

## AVISOS LEGALES

En cumplimiento de la normativa vigente en materia de propiedad industrial, se recuerda que, salvo para "Silca", "dormakaba", "Kaba", "Ilco" y "Advanced Diagnostics", las marcas y los nombres comerciales citados en nuestro documento son propiedad exclusiva de terceras sociedades, no afiliadas ni asociadas con Silca S.p.A. o el Grupo dormakaba. Dichas marcas o denominaciones comerciales se citan aquí solamente para indicar el empleo de destino de los productos Silca. / Este catálogo queda reservado exclusivamente a los duplicadores profesionales, que utilizan los productos Silca. Las ilustraciones y los datos técnicos de los productos contenidos en el documento se han de considerar indicativos. Silca se reserva el derecho, quedando invariables las características principales de los productos, de modificar todo lo que considere necesario y oportuno para mejorar la calidad de sus artículos. Todos los dibujos y fotografías pertenecen a Silca; según determina la Ley, se prohíbe toda reproducción, total o parcial, sin autorización por escrito de Silca S.p.A. Para cualquier litigio el tribunal competente es el de Treviso, la ley vigente es la italiana.

## NOTE LEGALI

In ottemperanza alla normativa vigente in materia di proprietà industriale, si ricorda che - fatta eccezione per "Silca", "dormakaba", "Kaba", "Ilco" e "Advanced Diagnostics" - i marchi o i nomi commerciali citati nel nostro documento sono di esclusiva proprietà di terzi, non affiliati né collegati a Silca S.p.A. o al Gruppo dormakaba. Silca S.p.A. e il Gruppo dormakaba non possiedono alcun diritto di proprietà intellettuale né agli stessi è stata concessa alcuna licenza in relazione a detti marchi o denominazioni commerciali, i quali sono qui citati solo per indicare la destinazione d'uso dei prodotti Silca. / Questo catalogo è riservato esclusivamente ai duplicatori professionisti che utilizzano i prodotti Silca. Le illustrazioni e i dati tecnici dei prodotti contenuti nel documento debbono considerarsi indicativi. Silca si riserva il diritto, ferme restando le caratteristiche essenziali dei prodotti, di apportare tutte le modifiche che ritiene necessarie e opportune al fine di migliorare la qualità dei prodotti. Tutti i disegni e le fotografie sono di proprietà di Silca, ogni riproduzione anche parziale, senza autorizzazione scritta di Silca S.p.A. è vietata secondo termini di legge. Per qualsiasi controversia il foro competente è quello di Treviso, la legge vigente è quella italiana.

## MENTIONS LÉGALES

Conformément à la législation en vigueur en matière de propriété industrielle, il est rappelé que - à l'exception de "Silca", "dormakaba", "Kaba", "Ilco" et "Advanced Diagnostics" - les marques ou noms commerciaux mentionnés dans notre document sont la propriété exclusive de tiers, non affiliés, ni liés à Silca S.p.A. ou au Groupe dormakaba. Ces marques ou dénominations commerciales ne sont mentionnées ici que pour indiquer la destination des produits Silca. / Ce catalogue est exclusivement réservé aux reproducteurs professionnels qui utilisent les produits Silca. Les illustrations et les données techniques des produits contenues dans le document doivent être considérées comme indicatives. Bien que les caractéristiques essentielles des produits soient invariables, Silca se réserve le droit d'apporter toutes les modifications qu'elle retiendra nécessaires et opportunes afin d'améliorer la qualité de ses produits. Tous les dessins et photos sont propriété Silca et toute reproduction, même partielle, sans l'autorisation écrite préalable de Silca S.p.A. est interdite conformément aux prescriptions légales. Pour tout litige, le tribunal compétent est celui de Trévise, la loi en vigueur est italienne.

## NOTÍCIAS LEGAIS

No respeito das normas em vigor relativas à propriedade industrial, lembra-se que - exceptuando "Silca", "dormakaba", "Kaba", "Ilco" e "Advanced Diagnostics" - as marcas ou os nomes comerciais citados no nosso documento são propriedade exclusiva de terceiros, não associados nem ligados à Silca S.p.A. ou ao Grupo dormakaba. Essas marcas ou denominações comerciais são citadas aqui somente para indicar o uso pretendido dos produtos Silca. / Este catálogo é reservado exclusivamente aos profissionais da duplicação que utilizam os produtos Silca. As figuras e as características técnicas dos produtos contidas no documento são facultadas a título indicativo. Mesmo que as características essenciais dos produtos sejam invariáveis, à Silca reserva-se o direito de modificar ser necessário e oportuno os produtos, afim de melhorar a sua qualidade. Todos os desenhos e fotos são propriedade da Silca, e é proibida a sua reprodução mesmo parcial sem a autorização escrita da Silca S.p.A. conforme as prescrições legais. Para qualquer litígio o tribunal competente é o de Treviso, a lei vigente é a italiana.